

RF Concepts Ltd

21CSHR(X) -W36



21CSHR-W36
21CSHRX-W36
Weatherproof
Lens Exchangeable
0.5Lux/F2.0
0.5Lux/F2.0
HIGH RESOLUTION



Option
21CSHR (X) -W36
with Sunroof

→ Key Features

1/3" DSP Color higher grade Sony CCD, (Super HAD, EX-View HAD version)

It is the world's first High performance Color camera in a bullet style. It is noticeable in that the unit is used with the most high end 1/3" Color CCD chip set among the list of Sony grade. It is highly recommended for a special requirement where need more precise, more bright and high resolution such as for medical site, chemical plants, defence areas, precise Inspection equipments or for crowded big halls etc.

Lens Exchangeable

The smart idea with user friendly housing mechanism make it possible to adapt a wide range of different focal lens. Installer can change the lens with no special skill, very easily without changing the camera in order to fix the exact angle of view and suitable focal distance.

21CWSHR(X)-W36 21' - 120' AOV (2.9mm,3.6mm,4.3mm,6mm,8mm,12mm,16mm)

Condensation free

Our weatherproof versions provide a perfect solution for moisture leakage problem against any harsh weather condition. The camera is assembled in a clear vacuum status and further protected to stop moisture or water smearing into the camera under the continuous heating and cooling conditions by the fluctuating sunny and rainy weather.

DAY & NIGHT Version with EX-VIEW HAD CCD

The model is compatible to use an EX-View HAD CCD which has a remarkable light sensitivity in both 470,000 pixels, high resolution and 270,000 pixels, standard resolution. It can see clearly at 0.1 lux at F2.0. It is very suitable as a Day Night surveillance when it is combined with IR Sensitive solution (option)

Compact Size

Incorporating all innovative features, those are used with 1/3" CCD format and made with the world's smallest size.

Beautiful design

Our fine craftsmanship reaches not only to the picture quality and compact size but also to the products GD (Good Design). All we manufacture have their own unique face and shape firstly aiming to best fit to the environment decor able to any place.

Easy Installation

Universal type of mounting structure plus user friendly developed camera design provide a useful way of installation mountable to any place such as on the ceiling, on the wall, on the shelf or at the corner providing adjustable 360 degree of camera angle without permitting any invisible position.

IR Sensitivity (Option)

Color CCD sensor is responsive to IR illumination at night and reproduce true coloration in the daytime.

Reverse Polarity protection built in

➔ **Optional Features**

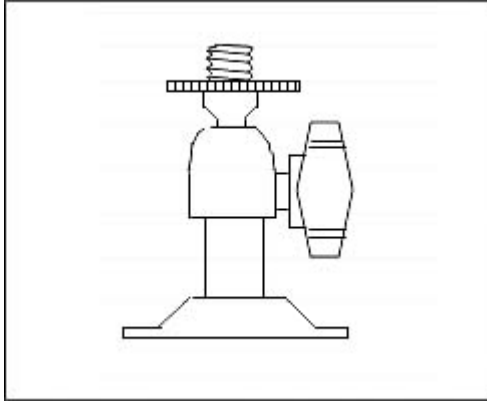
Audio with C-Mic

Sunroof

➔ **Specification**

MODEL		21CSHR-W36
		21CSHRX-W36
Image sensor		Version "S" 1/3" Super HAD CCD
		"SX" 1/3" Ex-view HAD CCD
Min. Illumination		Version "S" 0.5Lux at F2.0
		"SX" 0.1Lux at F2.0
Effective Pixels		NTSC : 768(H)X494(V) PAL : 752(H)X582(V)
H. Resolution		480 TV Lines
Synchronizing system		Internal
Scanning system		NTSC 525 Lines PAL 625 Lines 2:1 Interlaced
Video output		1.0Vp-p Composite. 75 Ohms
S/N ratio		More then 50 dB (AGC Off)
BLC		Automatic
Gain Control		4dB~30dB Auto
Gamma correction		r=0.45
White balance		Automatic
Smear effect		0.005%
Shutter Speed		NTSC : 1/60i1/100,000 sec PAL : 1/50i1/100,000 sec
Lens	Standard	4.3mm (78ϕ^a)
	Option	3.6mm, 6mm, 8mm, 12mm, 16mm
MTBF		80,000 hours
Power source		DC12V
Operating current		90mA w / regulated 12VDC in
Operating Temperature		14ϕ ^a F~122ϕ ^a F (-10ϕ ^a C~ + 50ϕ ^a C)
Humidity		Within 90% RH
Output Terminal		6 Foot DIY cable with BNC-Female for Video, DC Jack-Male for Power
Measurement (mm)		21(D)x72(L)
Weight(Approx.g)		134
Optional Function1		External Audio with C-Microphone " - 35dB / mV "
Optional Function2		Reverse(Mirror) Image
Optional Function3		Infra-Red Light sensitive without losing the true coloration at

➔ **Swivel Mount**



➔ **Dimensions and Connection (Unit : mm)**

