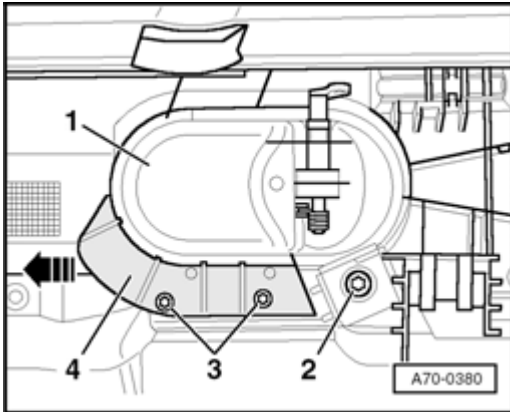


Audi > TT > 2000 - 2005

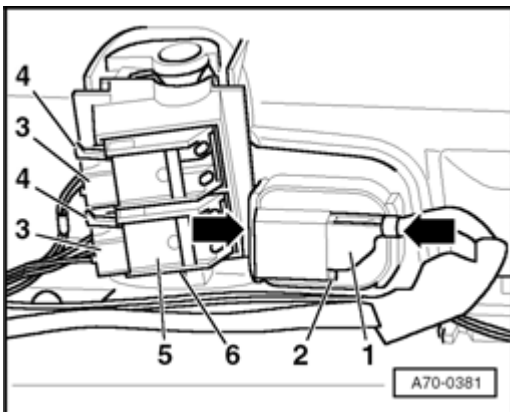
General body repairs, Interior

70 - Front door trim

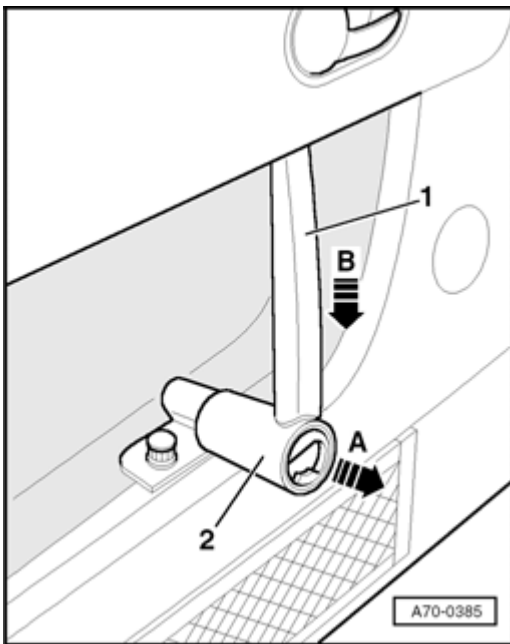
Door handle and switch trim, removing



- Remove door trim ⇒ [Front door trim, removing and installing.](#)
- Remove insulation ⇒ [Front door trim insulation, removing and installing.](#)
- Remove screw - 2 - .



- Press retainer hooks - 4 - and disconnect harness connectors - 3 - (2x).
- Using screwdriver, pry out window lifter switches - 5 - (2x) at Item - 6 - (4x).
- Remove window lifter switches - 5 - (2x).



- Take out switch trim - **2** - with handle - **1** - in direction of arrow - **A** - .
- Pull out switch trim - **2** - then handle - **1** - in direction of arrow - **B** - .